

Triac/0-10V/1-10V/Potentiometer/10V PWM 5 in 1 Dimmable led driver

Class 2 multi-channels 384W

Whole family
KVG-CXXXXX-DW 24VDC 48VDC
384W Class 2 multi-channels



Features

- Output constant Voltage, class 2 multi-channels
- UL, cUL listed, Class 2, Type HL
- Range: 100-277VAC
- Built-in active PFC function
- Efficiency up to 89%
- Protections: short circuit/over load/ over temperature
- Cooling by free air convection
- Full protection aluminum housing, for dry ,damp and wet locations
- Dimming function:
 - Phase dimming: work with forward phase /leading edge ,MLV and Reverse phase /trailing edge ,ELV,TRIAC dimmers
 - 0-10V dimming: 0-10V/1-10V/Potentiometer/10V PWM 4 in 1
 - Dimming range: 0-100%
- Suitable for LED lighting and moving sign applications

Specification

Model		KVG-C24384-DW	KVG-C48384-DW
Certificates		UL cUL FCC	
Output	DC Voltage	24V	48V
	Rated Current	4*4A	4*2A
	Rated Power	384W (4*96W)	384W (4*96W)
	Voltage Tolerance	±0.5V	
	Voltage Regulation	±0.5%	
	Load Regulation	±1%	
Input	Voltage Range	100-277VAC	
	Frequency Range	47-63Hz	
	Power Factor (Typ.) @ full load	0.95@120VAC 0.92@277VAC	0.95@120VAC 0.92@277VAC
	THD (Typ.) @ full load	<10% @120VAC <20% @277VAC	
	Efficiency (Typ.) @ full load	87%@120V 89%@277VAC	87%@120V 89%@277VAC
	AC Current (Max.)	3.3A@100VAC	3.3A@100VAC
	Inrush Current (Typ.)	30A ,50%,960us @120VAC ;	
Leakage current	<0.50mA		
Protection	Short Circuit	shut down o/p voltage, re-power on to recover after fault condition is removed	
	Over Loading	≤120% Hiccup mode ,recovers automatically after fault condition is removed	
	Over temperature	100°C±10°C shut down o/p voltage, automatically recover after cooling.	
Environment	Working TEMP.	-40~+60°C (see below derating curve)	
	Working Humidity	20~90%RH, non-condensing	
	Storage TEMP. Humidity	-40~+80°C, 10~95%RH	
	TEMP .coefficient	±0.03%/°C (0~50°C)	
	Vibration	10~500Hz, 5G 10min./1 cycle,period for 60min. each along X,Y,Z axes	
Safety& EMC	Safety standards	UL8750+UL1310	
	Withstand voltage	I/P-O/P:1.88KVAC	
	Isolation resistance	I/P-O/P:100MΩ/500VDC/25°C/70%RH	
	EMC EMISSION	FCC 47 CFR Part 15 ,Subpart B	
others	Net. Weight	1.9Kg	
	Size	322*78*47mm (L*W*H)	
	packing	10pcs /CTN	

Triac/0-10V/1-10V/Potentiometer/10V PWM 5 in 1 Dimmable led driver

Class 2 multi-channels 384W

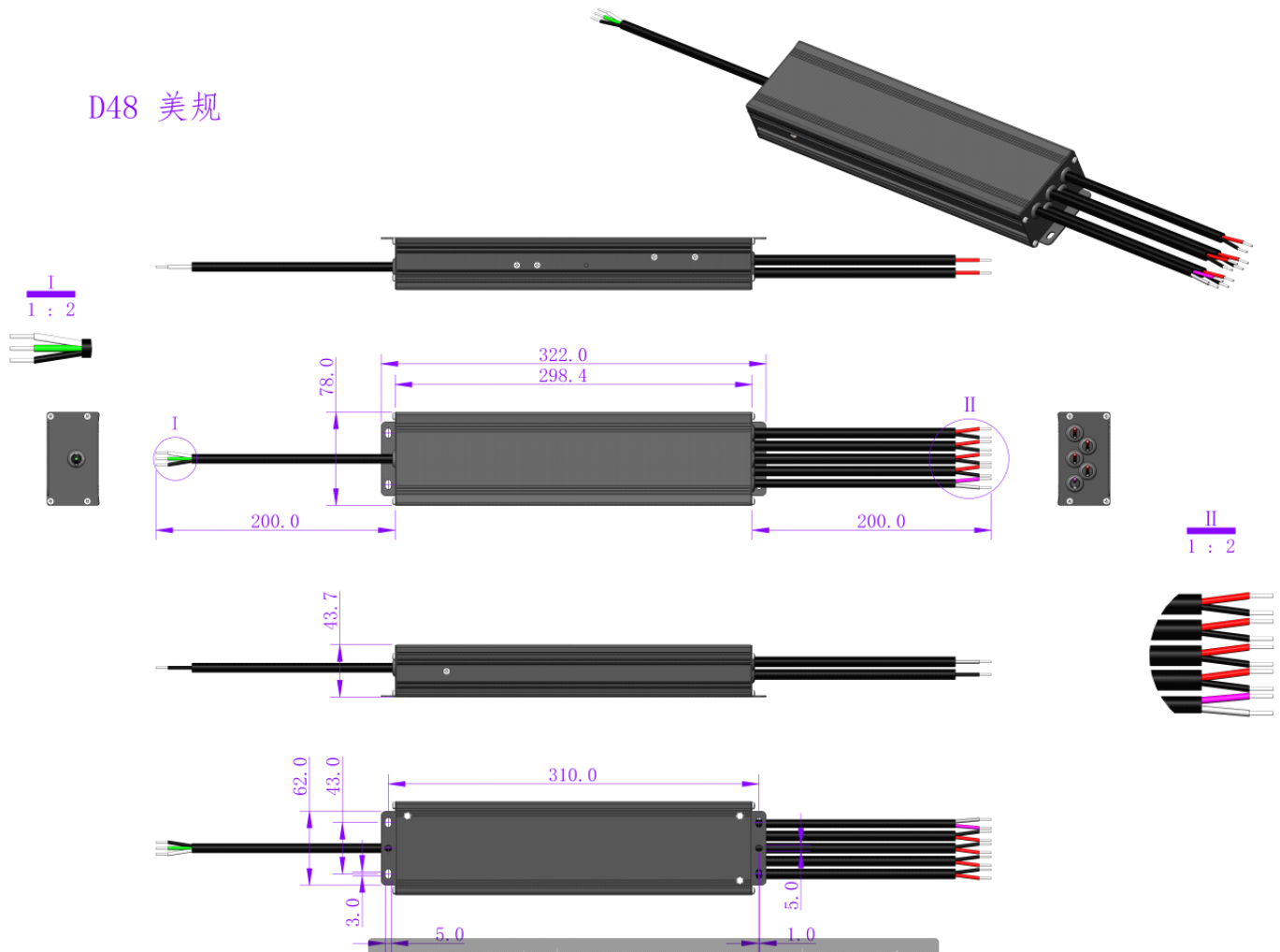
<p>Notes</p>	<p>1. All parameters if NOT specially mentioned are measured at 120VAC input , rated load and 25°C of ambient temperature.</p> <p>2. To extend the driver's using life ,please reduce the loading at lower input voltage.</p>
---------------------	---

Mechanical Specification

Unite: mm

Tolerance:P 0.5-2mm

D48 美规



- ※ Input wire 18AWG Black and White to be connected to AC L and N ,Green wire go ground,
- ※Output cable 2*16AWG,Red" (+) to LED Positive side (+) , "Black"(-) to LED Negative side (-).
- ※Dimming cable 2*18AWG,DIM (+) Purple to 0/1-10V dimmer signal(+) ,DIM (-) Grey to 0/1-10V dimmer signal (-)
- ※Please DO NOT connect "DIM-" to "LED-", "DIM+" to " LED+" ,or other incorrect connection.
- ※Please make sure your connect these correctly otherwise your product will not function correctly and could be damaged.
- ※Note: Any other requests we can customized.

Triac/0-10V/1-10V/Potentiometer/10V PWM 5 in 1 Dimmable led driver

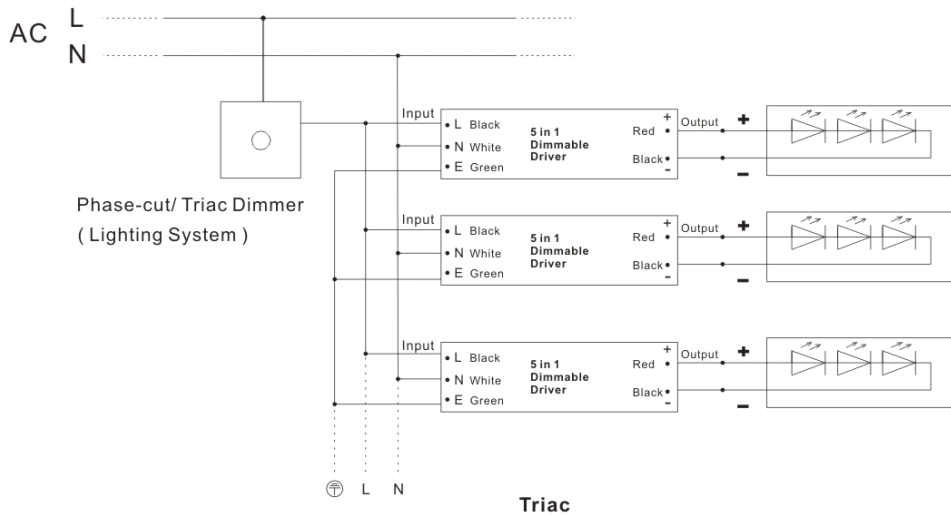
Class 2 multi-channels 384W

■ Dimming Operation and Connecting Diagram

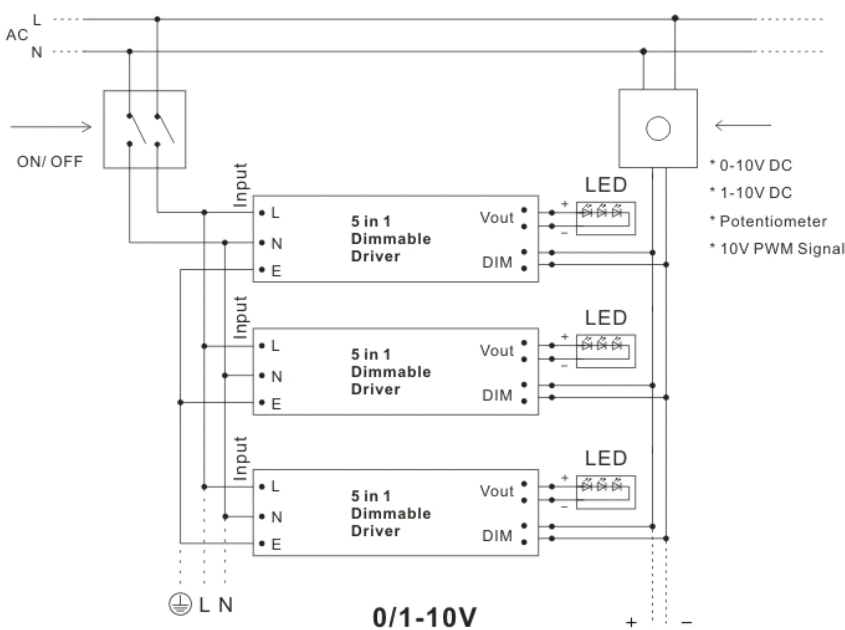
※Using two ways of dimming at the same time, you must be assured that LED lighting is up to the max. Brightness then you could operate with the other dimming;

※Using one dimming ---TRIAC/Phase cut dimming

- 1.The Pulse-Width Modulation (PWM) of output voltage can be adjusted through input terminal of the AC phase line(L) by connection a phase /Triac dimmer of lighting system.
- 2.Working with forward phase /leading edge ,MLV and Reverse phase /trailing edge ,ELV,TRIAC dimmers
- 3.Min loading is about 15%
- 4.Please try to use dimmers with power at least 1.5 times as the output power of the driver.

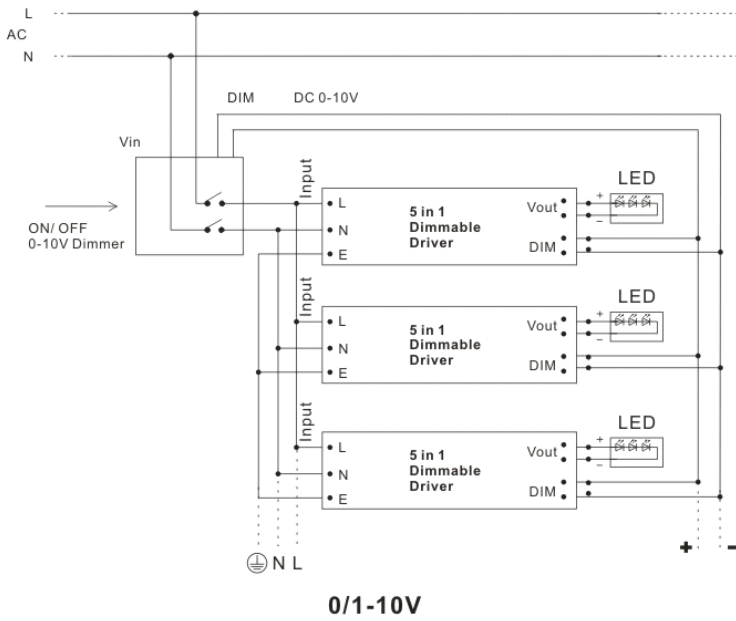


※Using one dimming ---0-10/1-10V dimming

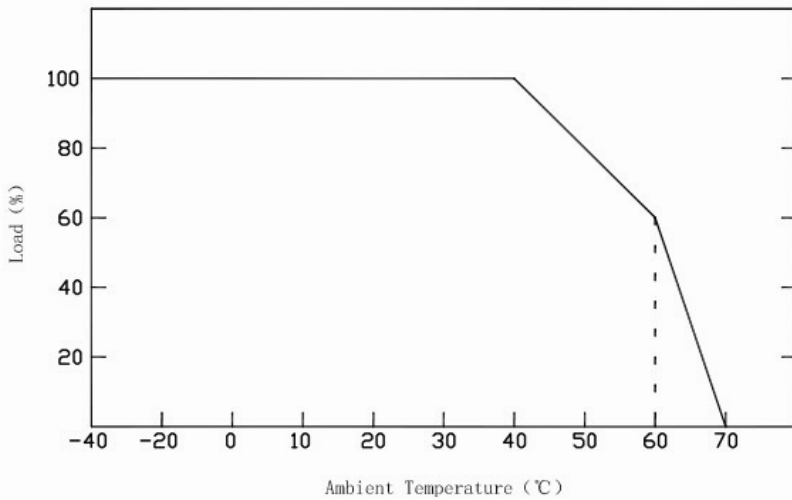


Triac/0-10V/1-10V/Potentiometer/10V PWM 5 in 1 Dimmable led driver

Class 2 multi-channels 384W



Derating Curve



※To extend their life, please refer to the Derating Curve and derate according to the temperature.

Instruction:

- 1) This driver should be installed by qualified and professional person;
- 2) Please make sure the driver is installed with adequate ventilation around it to allow for heat dissipation.
- 3) Ensure that wiring is correct before test in order to avoid light and power supply damage;
- 4) If driver Cannot work normally, don't maintain privately; Have any question, please contact Zhuhai Shengchang.

Please visit our website or contact us for more information! www.scpower.net.cn